

Basic Tip

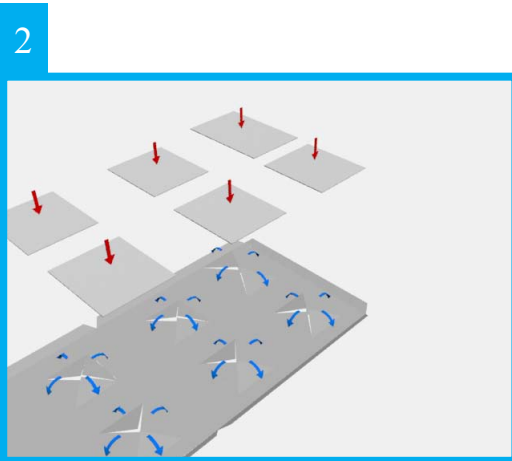
» Use cardboard patterns to cut base cardboard layers

» Cut out cardboard pattern and apply adhesive on the edges of pattern, fix it on to cardboard and cutout needed parts

Assembly Instructions

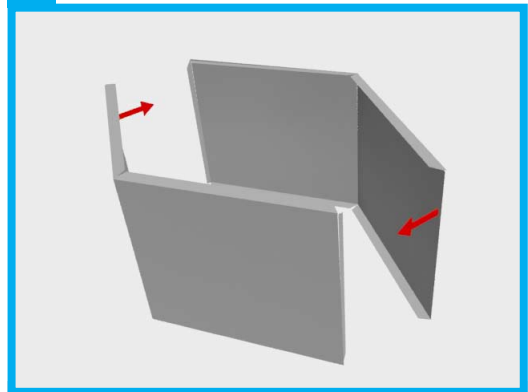
1

» Cut out base cardboard parts



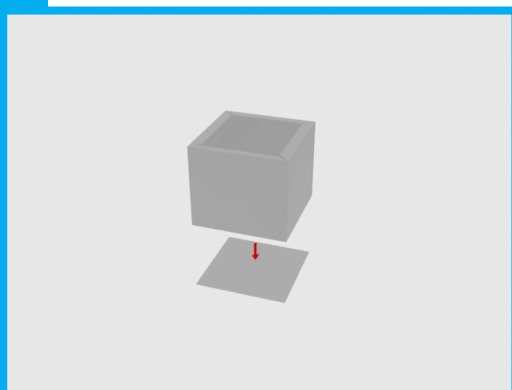
» Glue the walls to cardboard. Then cut out windows along grey "X" lines and cut out the walls. After that cut out and glue windows and doors

3



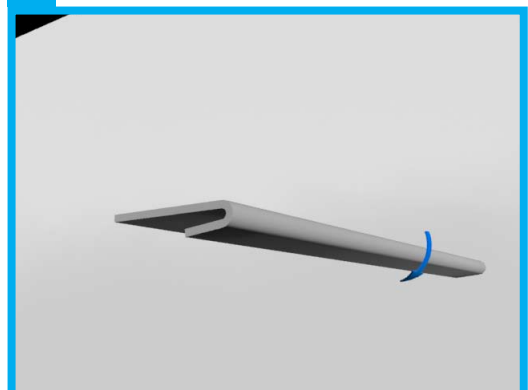
» Glue two wall segments to each other

4



» Glue walls to the base

5



» Cut out brick layer and fold it like on image

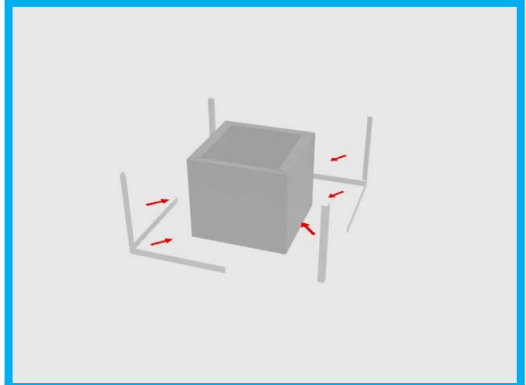
Assembly Instructions

6



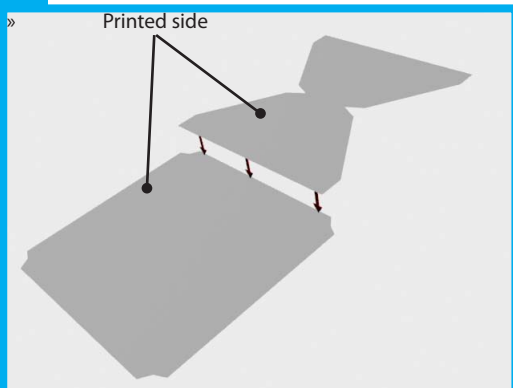
» Cut out frame pillars and fold them to approx. 90 degree

7



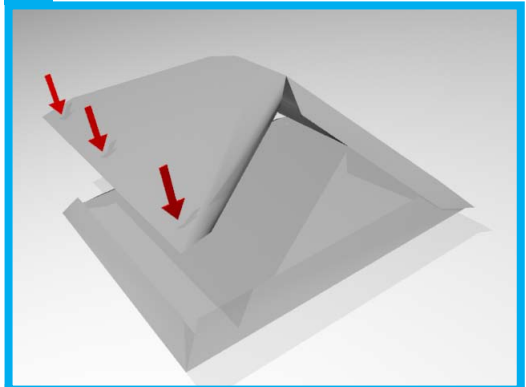
» Glue brick layer and frame pillars to the model

8



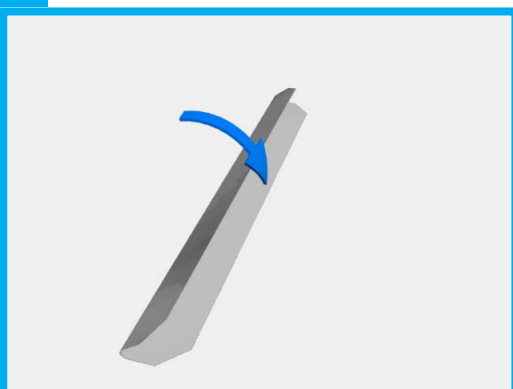
» Cut out roof base layer and main roofing layer and glue them like instructed

9



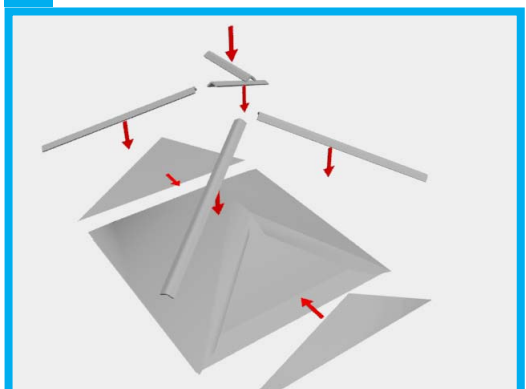
» Fold main roofing layer so that the printed side stays on the outside and glue it to the main roof layer

10



» Cut out roof corners and fold them to approx. 90 degree

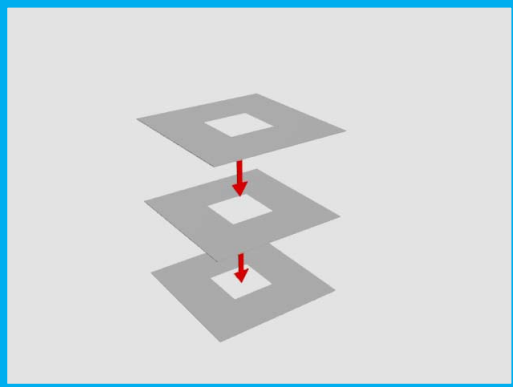
11



» Glue side roofing and roof corners. Then glue roof to the model

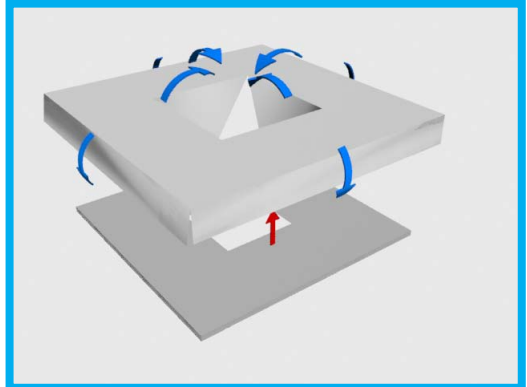
Assembly Instructions

12



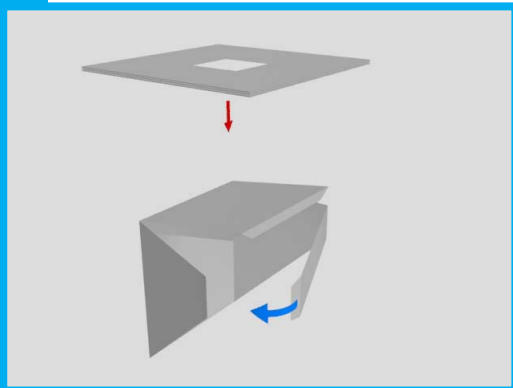
» Cut out base chimney layers and glue them to each other

13



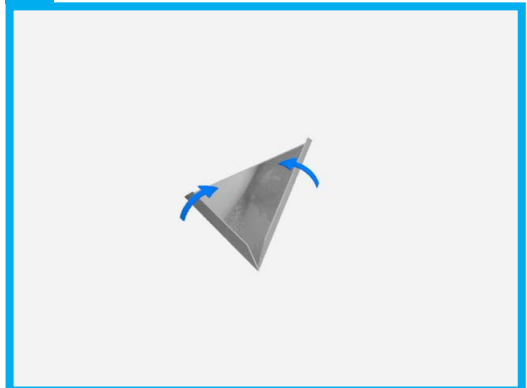
» Wrap chimney base layers

14



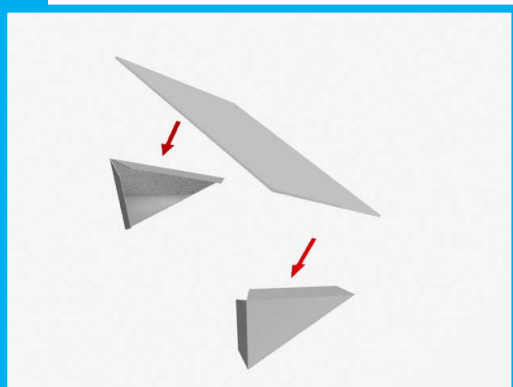
» Assemble the chimney brick layer and glue it to the wrapped base layer

15



» Cut out eaves and fold the flaps to approx 90 degree

16



» Wrap eaves base layer with cover and assemble the eaves



For more models visit us at

www.modelrailwaylayoutsplans.com

©Copyright 2011 Alastair Lee Ltd